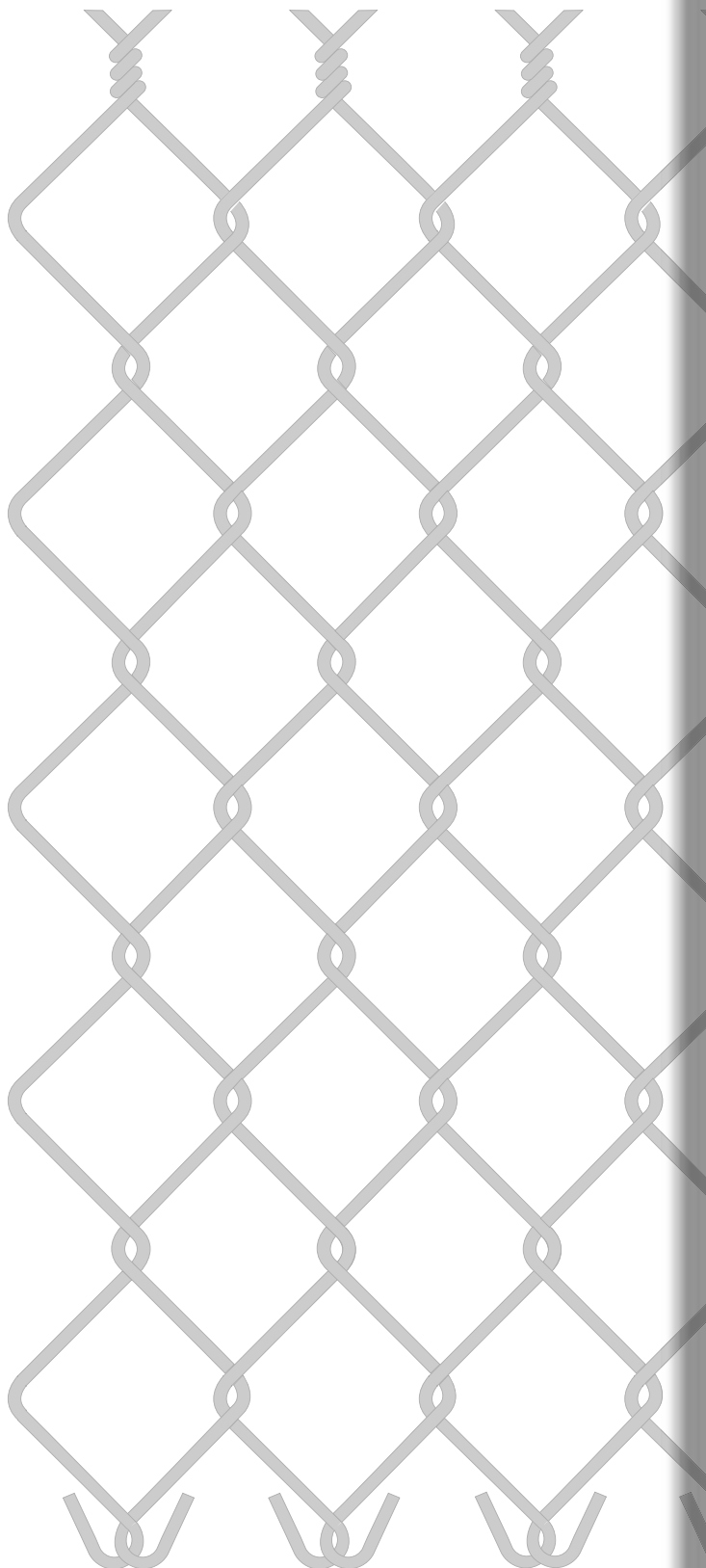


# DIAMOND FENCE™



## CHAINWIRE FENCING INSTALLATION GUIDE

### DIAL 1100 BEFORE YOU DIG

Check for underground services such as electrical, gas, water & telecommunications.

### CHECK BOUNDARIES

Have the property surveyed to ensure all boundaries are correct.

### CHECK COUNCIL REQUIREMENTS

Contact your local council to ensure that the height, type of fence and where you are installing the fence complies within their requirements.

### TOOLS REQUIRED

- Tape Measure
- String Line
- Hammer
- Sledge Hammer
- Spirit Level
- Crow Bar
- Post Hole Shovel
- Marking Pen
- Wheel Barrow
- Shovel or Hoe
- Spanners
- Metal Cutting Saw
- Pliers/Wire Cutters
- Wire Strainer
- Straining Bar with Hooks
- Metal File
- Trowel
- Lacing Needle
- Ear, Eye and Hand Protection

Telephone: 02 4340 4411

[www.profence.com.au](http://www.profence.com.au)

# CHAINWIRE FENCING INSTALLATION GUIDE



## 1. SITE & PIPE PREPARATION

- Mark out corner and gate post positions.
- Mark ground level on posts by measuring down from the top of post taking into account height of chainwire, barbed wire (if required), top rail, bottom rail and the gap require under the fence.
- Install caps to the posts

## 2. INSTALL END, CORNER & GATE POSTS

- Dig the holes for all of your end, corner and gate posts at a depth of 800mm x 300mm diameter ensuring the hole is central to the boundary.
- Pour concrete (20MPA strength) around the posts and taper the concrete at the top of the hole to allow for water run off.
- Ensure all posts are vertical, plumb and to the finished height.

## 3. INSTALL INTERMEDIATE POSTS

- Run a string line between corner and gate posts and lay out intermediate posts at no more than 3.333 metres spacing in accordance with AS 1725-2003. If stays are used determine correct spacing of first intermediate post to accept stay rail.
- Dig the holes for all intermediate posts at a depth of 600mm x 300mm diameter ensuring the hole is central to the string line.
- Pour concrete (20MPA strength) in the hole around the post and taper the concrete at the top of the hole to allow for water run off.
- Ensure all posts are vertical, plumb and to the finished height.
- Leave all concreted posts for at least 48 hours to cure.

## 4. ATTACH STAYS FOR 3 CABLE FENCING

- Clamp the stay rail using an appropriate fitting onto End, Corner and Gate posts approximately 300mm down from finished height of chainmesh and secure lower end of diagonal in one of two ways.

- OPTION 1. - Concrete into the base of first intermediate post.
- OPTION 2. - Secure stay rail with another fitting to the base of first intermediate post.

## 5. ATTACH TOP & BOTTOM RAILS (If applicable)

- Measure the inside distance between each set of posts and deduct 30mm.
- Cut top and bottom rail to resultant dimension.
- Attach rails to posts using 'T' clamp fittings.

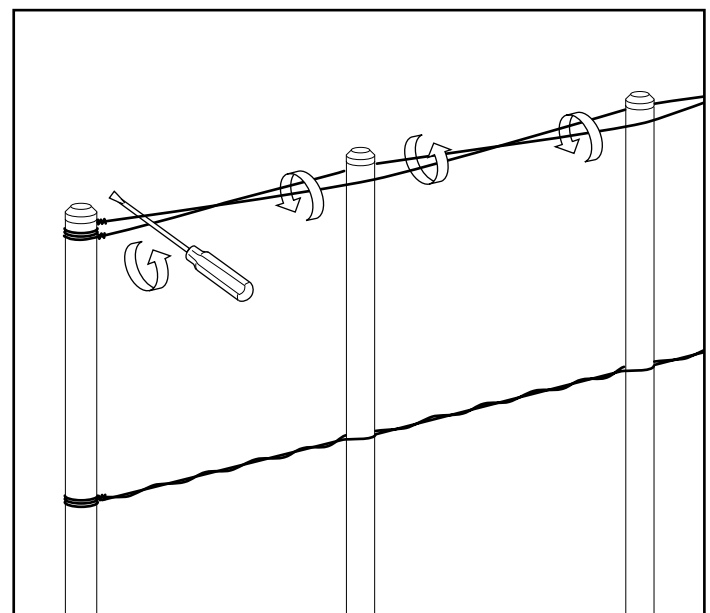
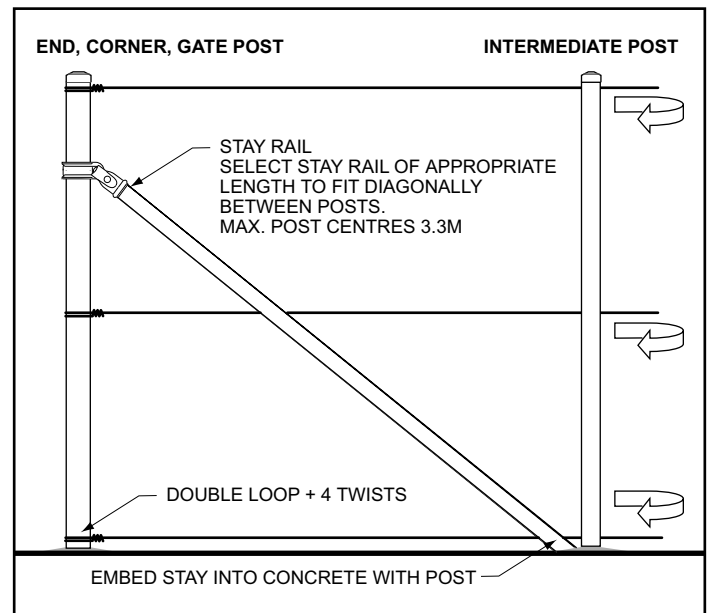
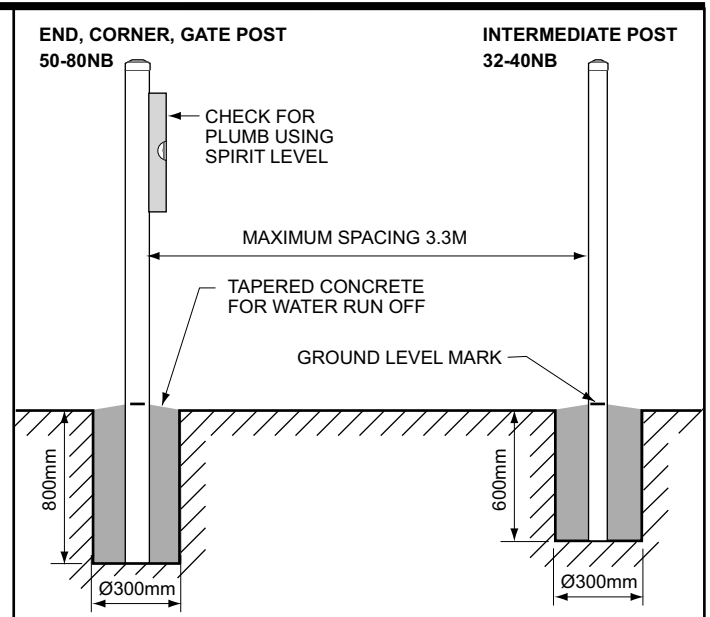
## 6. RUNNING CABLE WIRES (If applicable)

- Tie off cable at an end, corner or gate post, and weave cable wire along alternating sides of intermediate posts to next end or corner post then continue back to start and tie off removing as much slack as possible.
  - The two wires are then twisted together by putting a small tool (e.g. screwdriver) between the wires, at either side of the posts, and carefully twisting them to make a cable.
- Warning: Excessive twisting may over-tighten cable wires and cause the posts to pull over with the strain.

## 7. ROLLING OUT CHAINWIRE

### OPTION 1. IF ROOM PERMITS

- Roll mesh out along ground beside fence and join rolls together using the single spiral joiner supplied in the centre of each roll. Be sure mesh is even at top and bottom before joining.
- Bend up a number of S shaped hooks using left over cable or line wire and put them on the top rail or top line evenly placed along fenceline at about 1 metre spacings.



# CHAINWIRE FENCING INSTALLATION GUIDE

- Lift mesh up and hang on S hooks like hanging a curtain.
- Tie off (at least 5 double loop ties) or lace mesh to post at one end and strain other end using suitable straining equipment. Use a flat steel bar through the inside of the end spiral to prevent damage to the end of the mesh while tensioning.
- Tie off (at least 5 double loop ties) or lace mesh to end post.

## OPTION 2 - UPRIGHT ROLLOUT

- Stand the first roll of chainwire upright at the beginning of the fence line and using tie wire, double loop tie at least 5 times or lace the end of the chainwire to the first post.
- Roll out the chainwire keeping it in an upright position and put a temporary tie from the top of the chainwire to the top cable wire or top rail (about every 1 metre). Ensure this tie is loose so it will allow the chainwire to move along the fence line like a curtain when straining.
- Join rolls together by standing the next chainwire roll at the end of the attached chainwire and weave the two ends together using the spare spiral joiner.
- Continue rolling out the chainwire until you get to the end of the fence line.
- Strain mesh to end post using suitable straining equipment. Use a flat steel bar through the inside of the end spiral to prevent damage to the end of the mesh while tensioning.
- Tie off (at least 5 double loop ties) or lace mesh to end post.

## 8. FIXING CHAINWIRE

- Eliminate any excess chainwire.

**CABLE:** Attach chainwire to cable using clips or tie wire every fourth diamond.

**RAILS:** Attach chainwire to rails using tie wire every fourth diamond or lace every diamond.

- Remove temporary clips or S hooks.
- Attach chain wire to intermediate posts with double ties at top middle and bottom.

## 9. INSTALLATION OF BARBED WIRE (if applicable)

- Wrap barb wire around post at notch and twist off.
- Run the barbed out until you reach the end of the fence line and cut off leaving approximately 300mm of excess.
- Using a wire strainer, strain the barbed wire until tensioned and wrap around end post twist off.
- Using 150mm lengths of tie wire pass through hole or wrap around post at each notch of the intermediate posts and spiral tie wire out along the barb.

## 10. HANGING CHAINWIRE GATES

- Using blocks of size to suit the gap under the gates, place them where the gate will stand in a level position and the top of the gate is level with the gate posts.
- Attach the hinges ensuring the bottom hinge is under and hard up against the hinge collar of the gate. Tighten nuts and bolts.
- Adjust gates if necessary by lifting hinges or twisting them.
- Drill drop bolt hole in pavement for double gates or if there is no concrete, dig a hole, insert a ferule and concrete in.

