

POWDERCOATING

Standard Powdercoat Specifications

Steel fencing components supplied by Protective Fencing are powder coated in accordance with:- AS/NZS 4506-2005 Metal Finishing - Thermoset Powder Coatings

All galvanised components are pre-treated to ensure film adhesion. Components are coated using Interpon D1000 Excel™ powder developed for applications over porous substrates such as hot dip galvanised steel. Finished product is tested and recorded as per AS/NZS 4506-2005 for coating thickness, cure and adhesion.

Properly handled, installed and maintained powder coating will provide a long lasting decorative and durable surface coating. Regular maintenance is critical to ensure ongoing service life. Refer Promax Security Fencing document "Galvanised & Powder Coated Fencing Care & Maintenance" and AS/NZS 4506-2005 Appendix D.

Repairs to powder coating require the damaged surface to be rendered clean and sound prior to applying a compatible organic coating. Refer Interpon document "Repairs to Powder Coating".

Refer to profence.com.au for details of Warranties and Care and Maintenance.

Pipe - Standard Colours

SIZE	PRICE / M
20NB	
25NB	
32NB	
40NB	
50NB	
80NB	
100NB	
125NB	
150NB	

Fence & Gate Fittings

TYPE	PRICE / EA
PIPE CLAMP FITTINGS	
PANEL BRACKETS	

Mesh/Panels & Gates

TYPE	PRICE / SQ M
PANELS / GATES	
GATES OVER 200KG	
GP MESH 2.4M X 3M	

Tube - Standard Colours

SIZE	PRICE / M
25 x 25mm	
30 x 30mm	
35 x 35mm	
40 x 40mm	
50 x 20mm	
50 x 25mm	
50 x 50mm	
60 x 60mm	
65 x 35mm	
65 x 65mm	
75 x 25mm	
75 x 50mm	
75 x 75mm	
100 x 50mm	
100 x 100mm	
125 x 75mm	
150 x 50mm	

High Security Mesh

TYPE	PRICE / SQ M
358, 258 & EA MESH	

Standard Colours

(Also Known As)

- Black Satin (Night Sky)
- Monument
- Heritage Green
- Primrose (Domain)
- Deep Ocean (Mountain Blue, Bluestone)
- Pearl White
- Pale Eucalypt (Mist Green, Meadow)
- Woodland Grey (Slate Grey, Ridge Grey)
- Willow (Bond Rivergum, Wilderness)
- Manor Red (Heritage Red, Red Oak)
- Safety Yellow

OTHER INTERPON COLOURS AVAILABLE POA

MEMBER



AUSTRALIAN STEEL INSTITUTE

AiGROUP

AUSTRALIAN INDUSTRY GROUP



AUSTRALIAN SECURITY INDUSTRY ASSOCIATION LIMITED

www.profence.com.au

HIGH SECURITY FENCING SYSTEMS



Protecting the Future Through Innovation

TRADITIONAL PALISADE FENCING



Promax Traditional Palisade System

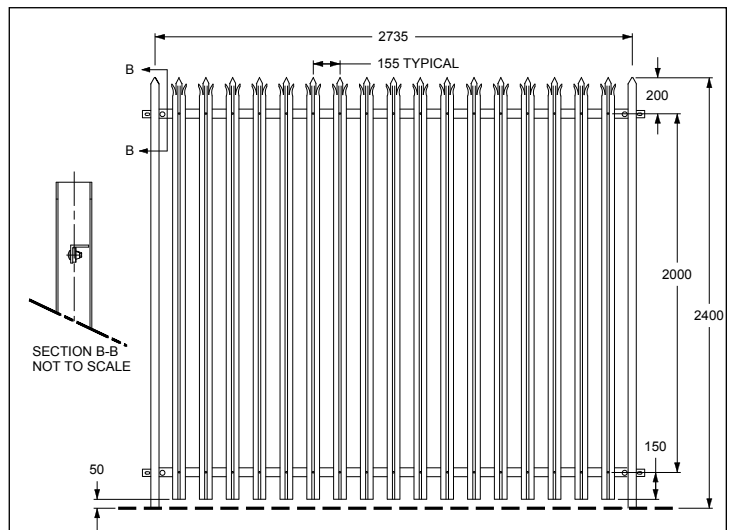
Protective manufacture and supply palisade fence materials based on traditional specifications using pencil point TFB posts and 150UB 14.0 posts and standard 50x50x6 rails. All W pales are of a BS1722-12 approved design and comply with all the strength requirements specified in Annex A & C. Rail positions have been standardised and positioned for greatest security for 2 and 3 rail fences. Other rail positions can be supplied to match existing installations. Pale centres are standardised at 155mm as per BS1722-12. Other specified centres are available upon request.

Protective are happy to advise, schedule material quantities and estimate cost on a project by project basis.

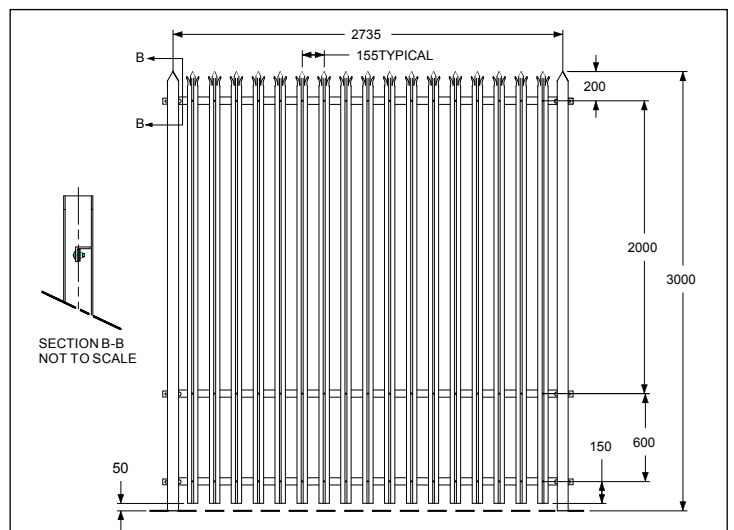
A powdercoating service is available from Protective's in house powdercoating plant. Protective is an approved applicator of Interpon D1000 powder over porous substrates such as hot dip galvanised steel.

SPECIFICATIONS

Post - Pencil point:	2400 High fence - 100x45 TFB
	3000 High Fence - 150 UB 14.0
Rail:	50x50x6 EA
Fish Plate:	40x8 140 long
Corner Fish Plate:	40x8 215 long W Profile
W Pale:	71x21x3 W Profile
Rail Fixings:	M12x30 Cuphead Bolt and Shear Nut
Pale Fixings:	M8x25 T Bolt and Shear Nut
	or - Stainless Steel Huck Pin and Collar
Mid Bay Support:	M12x500 thread Rod and Nuts
	Only required for fences over 2400 high.



STANDARD 2400 HIGH TRI POINT STRAIGHT PALISADE PANEL



STANDARD 3000 HIGH TRI POINT STRAIGHT PALISADE FENCE

TRADITIONAL PALISADE FENCING

Posts - Hot Dip Galvanised

CODE	FENCE HEIGHT	POST	RAILS	LENGTH	WEIGHT
PP TFB 3300 G	2400	TFB 100x45	2	3300	25.7Kg
PP UB150 4000 G	3000	150UB 14.0	3	4000	60.1Kg

- Posts to suit other height fences with different embedment lengths or baseplated, available upon request.
- Earth tag plates optional

Rails - Hot Dip Galvanised

CODE	SIZE	LENGTH	PALE CENTRES	WEIGHT
PP REA502705G	50X50X6 EA	2705	155	13.0Kg

- Rails available to suit specific specifications also available upon request.
- All rails include hole for Mid Bay Support - Earth holes if required optional.

Pales - W Section - Hot Dip Galvanised

CODE	FENCE HEIGHT	TYPE	TOP	LENGTH	WEIGHT
PP PALE 2400 G	2400	STRAIGHT	TRI POINT	2350	5.64Kg
PP PALE 2950 HDG	3000	STRAIGHT	TRI POINT	2950	7.07Kg
PP PALE 2950 CG	3000	CURVED	TRI POINT	2950	7.28Kg

- Pales to suit other height fences or special rails centres available upon request.

Fittings & Accessories - Hot Dip Galvanised

CODE	DESCRIPTION	WEIGHT
FISHPLATES		
PP FP G	INTERMEDIATE FISH PLATE - 140x40x8 - 2 SLOTS	0.38Kg
PP EFP G	END FISH PLATE - 80x40x8 - 1 SLOT	0.38Kg
PP CFP	CORNER FISH PLATE - W SHAPE - 215x40x8 - 2 SLOTS	0.50Kg

MID BAY SUPPORT - REQUIRED ON ALL FENCES OVER 2400 HIGH

DCRM12500H	M12X500 THREADED ROD + 2 x M12 NUTS	0.85Kg
------------	-------------------------------------	--------

FASTENERS - ALL FASTENERS SUPPLIED IN PACKS OF 100 ONLY

PP M12 30 HTG	RAIL FIXING - M12X30 CUPHEAD BOLT - 8.8 HI TENSILE	4.35Kg/100
PSNM12G	RAIL FIXING - M12 SHEAR NUT	2.7Kg/100
DWG12MM	RAIL FIXING - M12 WASHER	0.63Kg/100
PP TB825G	PALE FIXING - M8X25 T BOLT	1.15Kg/100
PSNM8G	PALE FIXING - M8 SHEAR NUT	1.3Kg/100
PSSPIN	PALE FIXING - SS HUCK PIN	2.23Kg/100
PP SSSFCOLL	PALE FIXING - SS COLLAR	0.67Kg/100

Gates - Hot Dip Galvanised

- Standard sizes include - 1.2M PA, 4.8M double gate, 6M double gate.
- Gates to match fence height and customer specifications are manufactured to suit and priced accordingly.
- Additional lead times will apply to non standard gates
- Single PA gates are made as a post, gate and lock assembly and installed as one unit.
- Double gates are supplied with posts, gates, hinges and locks.

PROMAX HIGH SECURITY MESH FENCING



**PROTECTING THE FUTURE
THROUGH INNOVATION**

THE PROMAX SECURITY MESH FENCING SYSTEM

The Promax™ Mesh Fencing System has been developed to enhance the industry accepted 358 mesh market with new innovative perimeter posts, mesh, toppings and gates.

Protective Fencing is a leading Australian manufacturer of closed spaced security mesh with Promax™ 358 mesh (71 x 9mm aperture) as it's signature product.

Promax™ close spaced steel mesh provides maximum security by being extremely difficult to climb or penetrate using normal hand tools and yet has a minimal visual impact on the surrounds and an important clear line of horizontal sight.

Promax™ Security fencing utilizes the unique design registered Promax™ 'T' Post, a high strength medium weight post designed to combine better aesthetics with faster installation and less potential maintenance. All Promax™ mesh systems can be specified using either post and rail systems or successfully utilized as rail-less structures depending on the end use security level requirements.

The Promax™ 'T' post is designed to incorporate the use of the SMRTrail™ cable management system, an Australian first for mesh type security fencing. The Promax 'T' post has been engineered to accept anti ram cables and SMRTrail™ cable management without reducing the structural integrity of the fence. Promax™ 'T' Post 358 Mesh Fencing System has been engineered and certified for high security fencing up to 4.8M. For fencing over 4.8M or with a wind restrictive topping, other super T posts configurations are available.

- Unique engineered 'T' post - high strength medium weight.
- Design Registered.
- Easier faster installation - clear access for mesh attachment.
- Flat web for more versatile attachment of topping extensions etc.
- Curved corner option for improved aesthetics and reduced climb-ability.
- Optional rail-less fencing for reduced material and installation costs.
- High security yet low cost, low visual impact all in one PA gate system.
- Innovative topping extensions.
- Adaptable to all forms of mesh, expanded metal or perforated sheet.
- One piece 90° corner construction.
- Above ground cable management feature conforming to AS 3000.
- High security yet low cost, low visual impact all in one PA gate system.



OPTIONAL TAPERED BLADE BARBED WIRE EXTENSION



BULLDOG RAZOR TOPPING



TOP RAIL WITH CONCERTINA RAZOR TAPE ATTACHMENT

PROMAX HIGH SECURITY MESH FENCING

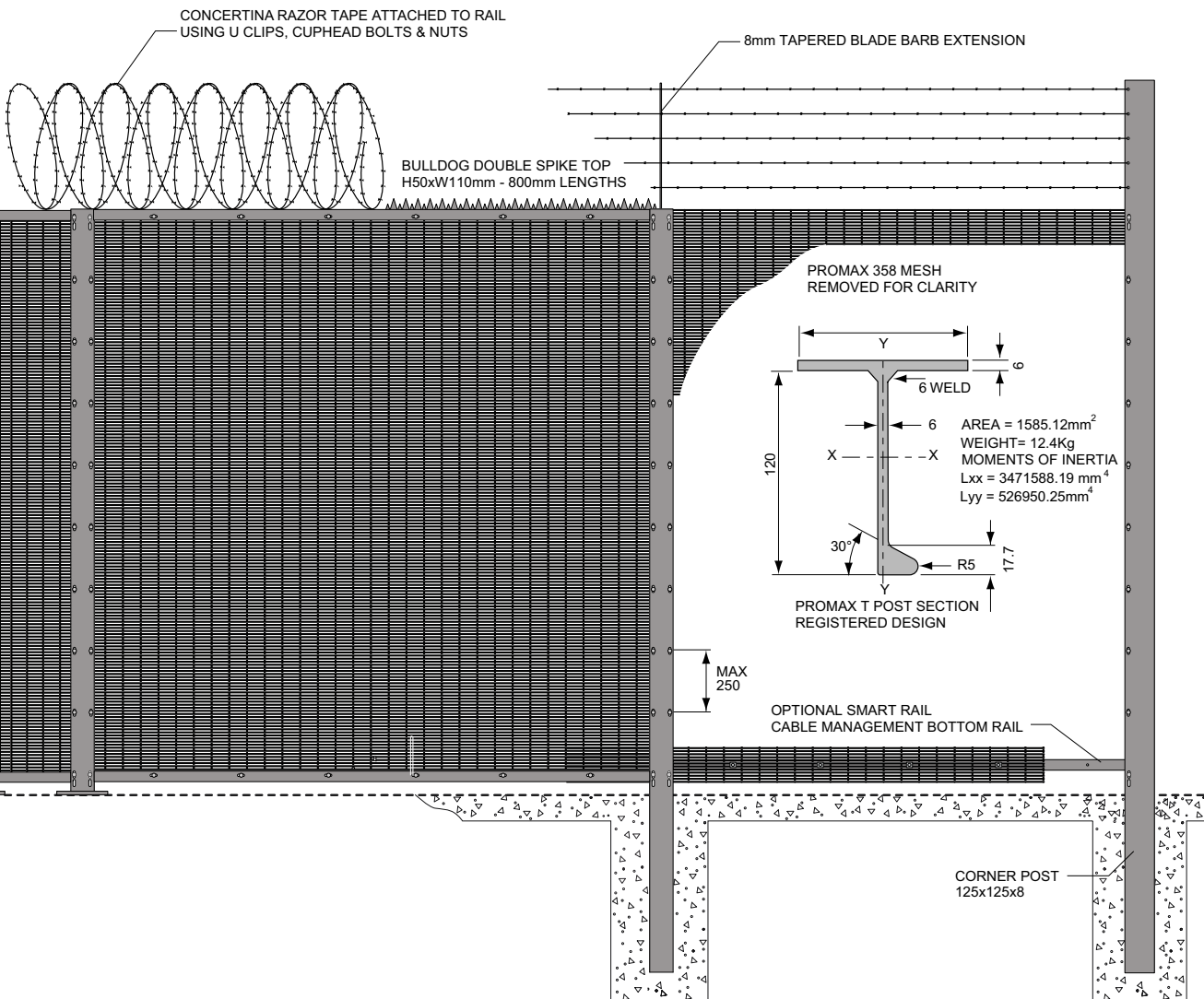
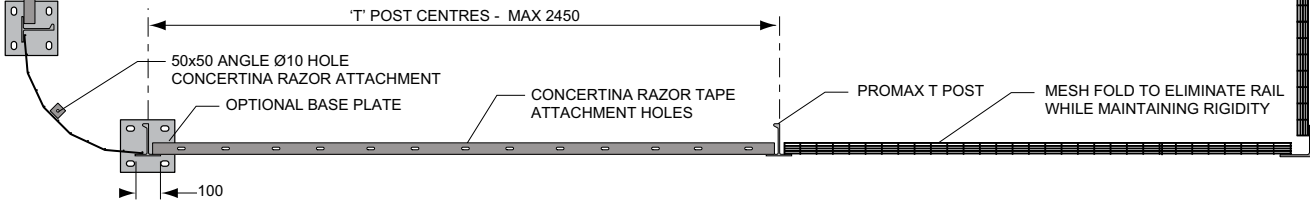
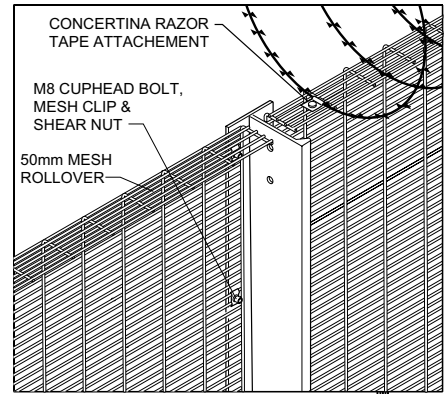
TYPICAL 2.4M HIGH 358 MESH FENCE
INGROUND OR BASE PLATED

COMPONENT LIST - PER PANEL SET

DESCRIPTION	QUANTITY
T POST - 100x6mm~125x6mm BULB FLAT x CONTINUOUS WELD 10X30mm SLOTS - HDG	2
RAIL - 50x50x4mm EQUAL ANGLE - 10X30mm SLOTS- HDG	2
PROMAX 358 MESH - 75x13mm WIRE CENTRES - ZALCOTE FINISH	1

FASTENERS

MESH/RAIL TO POST - M8X30mm CUPHEAD BOLT, MESH CLIP & SHEAR NUT - GAL	40
---	----



PROMAX MESH FENCING

Posts - Hot Dip Galvanised

CODE	NOMINAL HEIGHT	STD LENGTH	EMBEDMENT	SLOTS	WEIGHT
T POST - 100x120x6 - INGROUND - 14SQ EXTENSION & EARTH HOLES INCLUDED - 8.82Kg/M HDG					
PP T100 3400 G	2400	3400	925	235	45.2Kg
PP T100 4500 G	3000	4500	1425	246	59.4Kg

Other sizes to suit non standard fence heights are made to order.

Flanged posts available - 250x250x16mm plates standard or to Engineers requirements.

CORNER POST - STANDARD 125X125X8 EA - EARTH TAG INCLUDED - 16Kg/M HDG

PP CP 3400 G	2400	3400	NA	235	54.40Kg
PP CP 4500 G	3000	4500	NA	246	72.41Kg

Other sizes to suit non standard fence heights are made to order.

Flanged posts available - 250x250x16mm plates standard or to Engineers requirements.

Security Mesh - Zalcote

CODE	WIDTH	HEIGHT	LONG WIRE	CROSS WIRE	PITCH	WEIGHT
PROMAX 358 VARIMESH - 30, 50, 70 VARI PITCH ONE END - SUIT POST CENTRES 2440						
PMZ3582424	2404	2396	Ø4	Ø4	75X13	51.6Kg
PMZ35824255	2404	2550	Ø4	Ø4	75X13	54.0Kg
PMZ3582427	2404	2695	Ø4	Ø4	75X13	58.5Kg
PMZ3582430	2404	2994	Ø4	Ø4	75X13	64.9Kg
PMZ3582432	2404	3202	Ø4	Ø4	75X13	70.5Kg
PMZ3582436	2404	3592	Ø4	Ø4	75X13	75.7Kg
PMZ3582440	2404	3995	Ø4	Ø4	75X13	84.7Kg
PMZ3582445	2404	4502	Ø4	Ø4	75X13	95.3Kg
PMZ3582450	2404	4996	Ø4	Ø4	75X13	105.9Kg

PROMAX 258 VARIMESH - SUIT POST CENTRES 2440

PMZ25824239	2404	2396	Ø4	Ø4	50X13	55.1Kg
PMZ2582430	2404	2994	Ø4	Ø4	50X13	69.3Kg
PMZ2582436	2404	3592	Ø4	Ø4	50X13	83.14Kg

PROMAX UTRAMESH - 30, 40, 50, 65 VARI PITCH BOTH SIDE - 2X40 PITCH CENTRALLY - SUIT POST CENTRES 2440

PMZ3582424ULTRA	2404	2396	Ø5.6	Ø4	75X13	60.3Kg
PMZ3582430ULTRA	2404	2994	Ø5.6	Ø4	75X13	75.3Kg

Rails - 2410 Length - Hot Dip Galvanised

CODE	DESCRIPTION	SIZE	WEIGHT
PP BREA504GH	STD. RAIL - MESH SLOTS ONLY	50X50X4 EA	9.0Kg
PP TREA504GH	TOP RAIL - MESH SLOTS + CONCERTINA SLOTS	50X50X4 EA	9.0Kg

Discounts Available for Bulk Quantities

www.profence.com.au

PROMAX MESH FENCING

Post Extensions - 50x50x5 EA - Hot Dip Galvanised

- Barbed wire extensions are available in straight or cranked arrangements.
- Due to the extensive number of specified barbed rows and wire spacing required all extensions are made to suit.
- Each extension has standardised attachment points to suit the pre punched holes on the T post.
- For straight extensions corners are dealt with by providing extended corner posts to alleviate straining issues.

Fasteners - Galvanised

CODE	DESCRIPTION	WEIGHT/100
PM830G	MESH FIX - M8 X 30 CUP HEAD BOLT	2.15Kg
PSNM8G	MESH FIX - M8 SHEAR NUT	1.3Kg
PFCG	MESH FIX - MESH CLIP	1.0Kg
PRUC	CONCERTINA RAZOR TAPE FIXING CLIP	1.625Kg
PP M12 30 HTG	EXTENSION FIX - M12X30 CUP HEAD BOLT - 8.8 HI TENSILE	4.35Kg
PSNM12G	EXTENSION FIX - M12 SHEAR NUT	2.7Kg
DWG12MM	EXTENSION FIX - M12 FLAT WASHER	0.7Kg

- Mesh fasteners per panel - 2400 Fence = 40, 2700 Fence = 42, 3000 Fence = 44, 3600 Fence = 48

Fibreglass Posts - Isophthalic Polyester Resin - Grey

CODE	DESCRIPTION	WEIGHT
PP FIB 4500	203x203x9.5mm 'I' BEAM - 4500mm LONG	43.5Kg
PPSCRTUBE	100x100x6mm TUBE - 4500mm LONG	29.04Kg

- Commonly used for electrical isolation panels.

Accessories

CODE	DESCRIPTION	WEIGHT
BARBED WIRE		
WIRE BARB 157 HT 500M	BARBED WIRE - HI TENSILE 1.57 @ 500M - GAL	23.5Kg
WIRE BARB 250 GH	BARBED WIRE - IOWA SOFT 2.50 @ 400M - GAL	45.0Kg
CONCERTINA RAZOR TAPE - GAL		
PRT SB 56 550C3	Ø550 SHORT BARB - 8.4M @ 300 CENTRES - 5.6M @ 200 CENTRES	9.75Kg
PRT LB 56 760C3	Ø760 LONG BARB - 8.4M @ 300 CENTRES	13.23Kg
FLAT LOOP RAZOR TAPE - GAL		
PRT SB 45 550F	Ø550 SHORT BARB - 45 LOOPS - 13M @ 50% OVERLAP	7.75Kg
BULLDOG SPIKE TOPPING - HDG		
PBRT	TOPPING STRIP - H50xW110 - 800 LONG - 2 x OVERLAP FIXING	1.1Kg

Gates - Hot Dip Galvanised

- Standard sizes include - 1.2M PA, 4.8M double gate (leaf max 2400 wide), 6M double gate (2 part bolt on leaf).
- Gates to match fence height and customer specifications are manufactured to suit and priced accordingly.
- Single PA gates are made as a post, gate and lock assembly and installed as one unit.
- Double gates are supplied with posts, gates, hinges and locks. Gate leaves over 2400 wide are made in bolt together sections for ease of transport or export.

Discounts Available for Bulk Quantities

www.profence.com.au